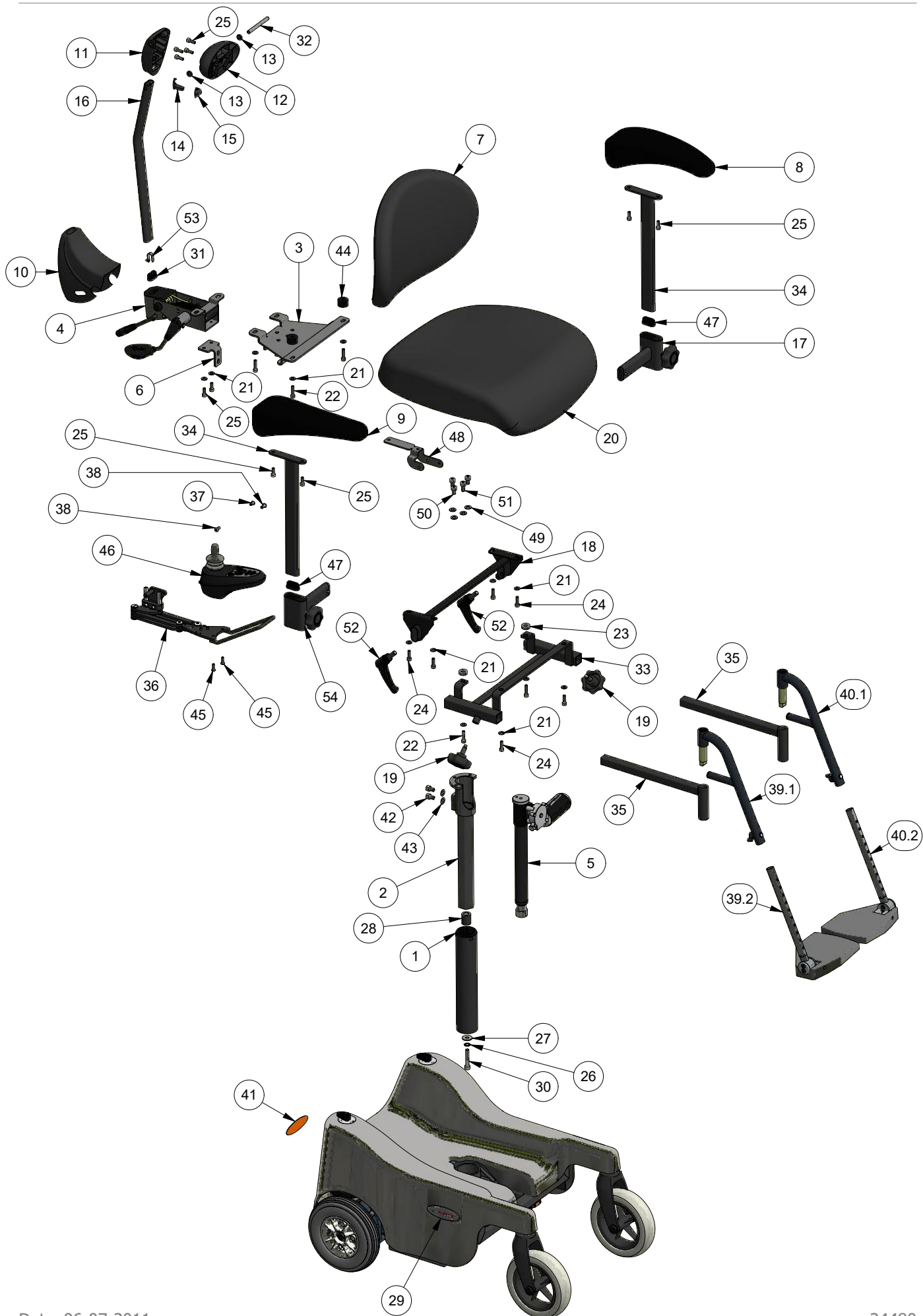




Blues 100F

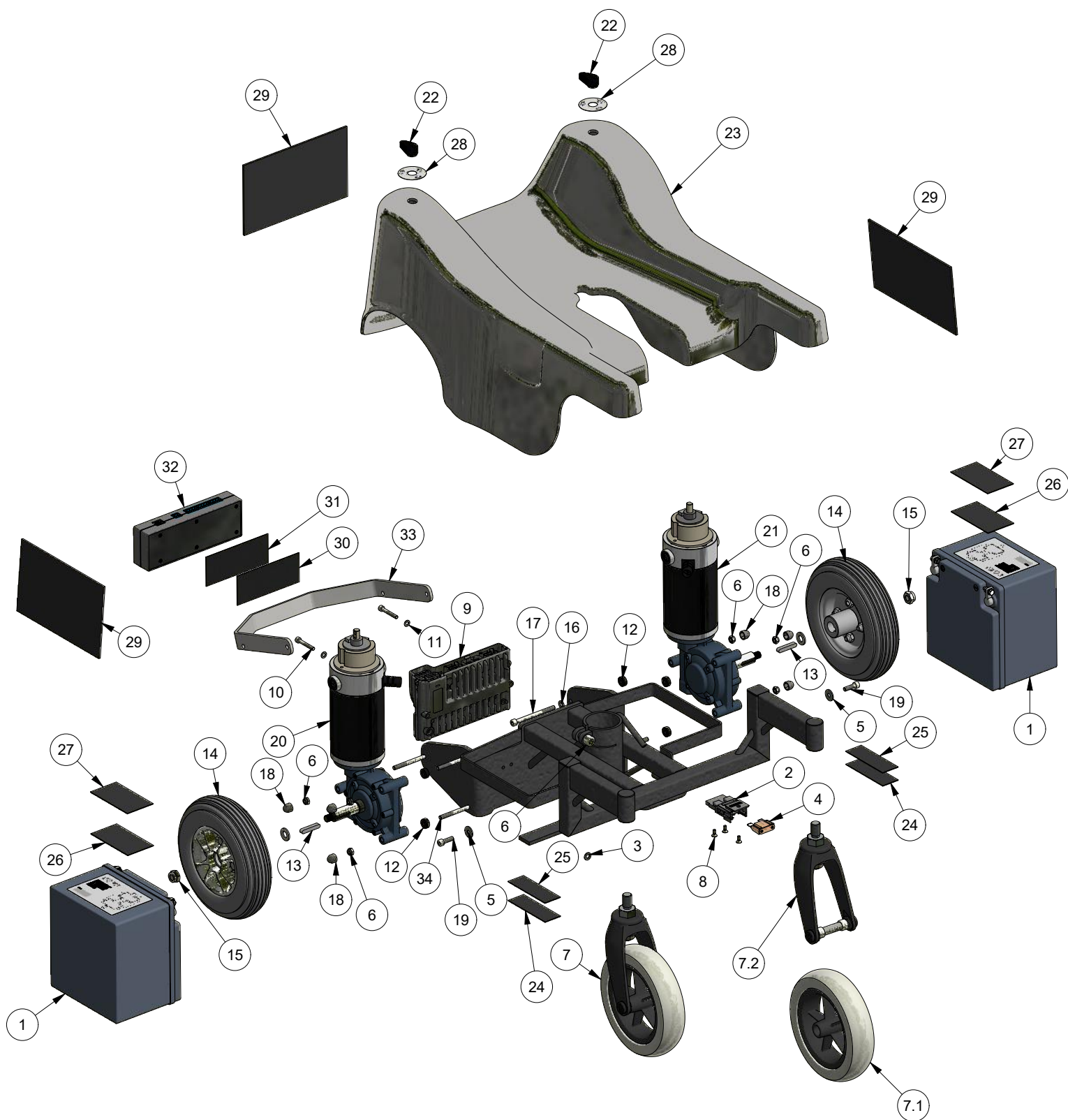


VELA Blues 100/100F

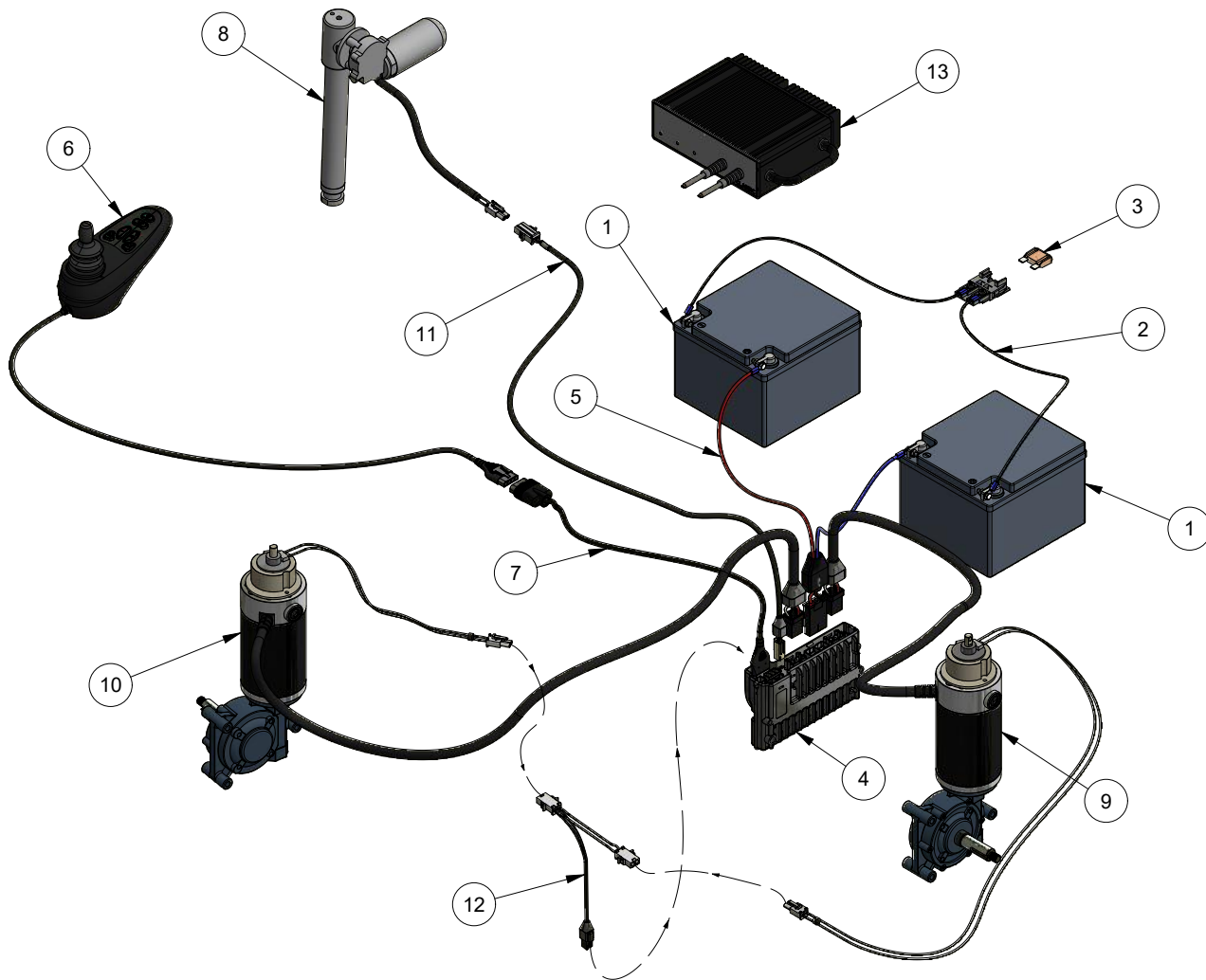


RESERVEDELE

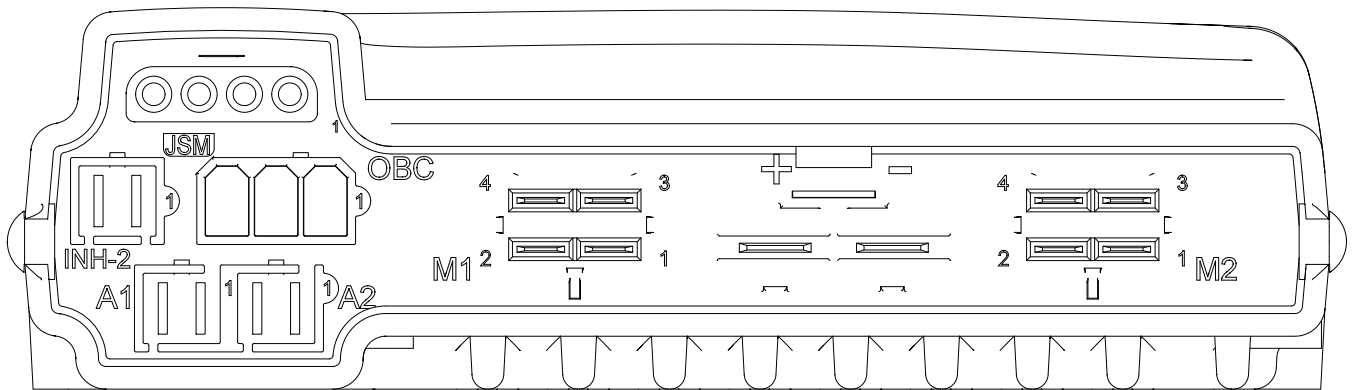
| Pos. | Pcs. | Emne | Item | Besceibung | Item no. |
|------|------|------------------------------------|-------------------------------------|---------------------------------------|-------------|
| 1 | 1 | Yderrør 20 cm kpl | External tube F/ 20 cm lift | Außenrohr F/ 20 cm Lift | 926497 |
| 2 | 1 | Inderrør 36 200 mm B100 | Internal tube 36 200 mm B100 | Innenrohr 36 200mm B100 | 201702001 |
| 3 | 1 | Adapterplade f/bæreplade BP21.2 | Adapter Plate f/seat support | Adapterplatte f/Sitztrageplatte | 926544 |
| 4 | 1 | Rygbøjleholder t. bæreplade Hs | Backrest arm holder f/seat support | Rückenbügel Halter f/Sitztragerplatte | 926546 |
| 5 | 1 | MBL aktuator LL 24V 200mm | MBL actuator LL 24V 200mm | MBL Actuator LL 24V 200mm | 924261 |
| 6 | 1 | Vinkel for inderrør | Angle for inner tube | Winkel der inneren Rohr | 926545 |
| 7 | 1 | Y-ryg 37x30 kpl Bore R.2 formstøbt | Y-back 37x30 holes R.2 molded | Y-rücken 37x30 m/R.2 Formschaum | 08485120671 |
| 8 | 1 | Armlæns pude 21/22 Vs | Arm rest pad, left | Armauflage, links | 15104003 |
| 9 | 1 | Armlæns pude 21/22 Hs | Arm rest pad | Armauflage | 15204003 |
| 10 | 1 | Rygholderafdækning | Cover f / back bracket | Abdeckung f/Rücken Halter | 923367 |
| 11 | 1 | Ryghængsel sort | Backrest hinge black | Rückenscharnier Schwarz | 925138 |
| 12 | 1 | Underlag ryghængsel u/stop | Plate part for Hinge without stop | Aufnahme f/ Scharniere ohne Stopf | 926636 |
| 13 | 2 | Gummiskive underlag ryghængsel | Rubber disc for backrest hinge | Gummischeibe für Rückenscharnier | 926585 |
| 14 | 1 | Låsetap for ryghængsel | Locking tap for backrest hinge | Schliesstap für Rückenscharnier | 926637 |
| 15 | 1 | Lås for ryghængsel | Lock for backrest hinge | Schliess für Rückenscharnier | 926638 |
| 16 | 1 | Rygbøjle 21 - 420 mm sort | Backrest arm 21 - 420 mm black | Rückenbügel 21 - 420 mm Schwarz | 07333 |
| 17 | 1 | Sidestykke Ergon armlæn Vs kpl | Sidepart for Ergon armrest Ls cpl | Seitenstück für Ergon armlæne kpl | 927961 |
| 18 | 1 | Armlænsbund 21 | Base for Armrest 21 | Armlænehalterung 21 | 928301 |
| 19 | 2 | Håndskrue VELA 60 M10x25 | Hand screw VELA 60 M10 x 25 | Handschraube VELA 60 M10 x 25 | 900408 |
| 20 | 1 | Y-sæde 44x44 B21 f/fodst. Combi | Y-seat 44x44 cm | Y-sitz 44x44 cm | 06142620671 |
| 21 | 14 | Skive | Washer | Scheibe | 8802207 |
| 22 | 6 | Skruer med indvendig 6-kt CH | Cylinder Head Cap Screw | Zylinderschrauben mit Innen 6-kant | 8001206025 |
| 23 | 2 | Afstandskive Ø21/11x8 | Distance disc Ø21/11x8 | Distanzscheibe Ø21/11x8 | 924886 |
| 24 | 6 | Skruer med indvendig 6-kt CH | Screw M6x20 | Zylinderschrauben mit Innen 6-kant | 8001206020 |
| 25 | 10 | Skruer med indvendig 6-kt CH | Cylinder Head Cap Screw | Zylinderschrauben mit Innen 6-kant | 800120601 6 |
| 26 | 1 | Tandskive DIN 6798 - J 8 | Serrated Lock Washer DIN 6798 - J 8 | Verzahnt Federring DIN 6798 - J 8 | 8804208 |
| 27 | 1 | Stor skive | Washer | Scheibe | 8806208 |
| 28 | 1 | Afstandstykke Ø22/13x25 mm | Distance piece Ø22/13x25 mm | Distanzstück Ø22/13x25 mm | 923206 |
| 29 | 2 | 3D label Blues 100 | 3D label for Blues 100 | 3D Etikett für Blues 100 | 926505 |
| 30 | 1 | Skruer M8 x 45 CH FZB | Screw M8 x 45 CH FZB | Schraube M8 x 45 CH FZB | 8001208045 |
| 31 | 1 | Rørben 15x30 mm flad-oval m/hak | Plug 15x30 mm | Stöpsel 15x30 mm | 925890 |
| 32 | 1 | Aksel for ryghængsel | Shaft for backrest bracket | Oberteil für Rückenlehne Halterung | 923284 |
| 33 | 1 | Ophæng for fodstøtte | Suspension for | Aufhängung für Fußstütze | 923425 |
| 34 | 2 | Armlænsstang 315 sort | Arm Rest Bar 315 black | Armlænesstange 315 Schwarz | 16026 |
| 35 | 2 | Skydestang for E-fodstøtter 280 | Sliding fixture for E-footrest 280 | Schiebehalter für E-Fußstütze 280 | 900564 |
| 36 | 1 | Parallelbeslag Hs Universal VR2 | Parallel fitting Rs universal VR2 | Parallelbeschlag Rs universal VR2 | 372176 |
| 37 | 1 | Skruer med indvendig 6-kt RH | Screw M5x10 | Schraube M5x10 | 8003205010 |
| 38 | 2 | Skruer med indvendig 6-kt RH | Hexagon Socket Button Head Screw | Innensechskant Rundkopfschraube | 8003206012 |
| 39 | 1 | E-fodstøtte 37B, Hs. 67° 32-48 cm | E-footrest 37B, Rs. 67° 32-48 cm | E-Fußstütze 37B, 67° 32-48 cm | 901508 |
| 39.1 | 1 | Topbøjle E-fodstøtte 250 mm | Top part F/ E-foot rest 250 mm | Overbügel F/ E-Fußstütze 250 | 901350 |
| 39.2 | 1 | Underdel E-fodstøtte 37B Hs | Lower part E-footrest 37B Rs | Unterteil E-Fußstütze 37B Rs | 901340 |
| 40 | 1 | E-fodstøtte 37B, Vs. 67° 32-48 cm | E-footrest 37W, 67° 32-48 cm | E-Fußstütze 37B, 67° 32-48 cm | 922407 |
| 40.1 | 1 | Topbøjle E-fodstøtte 250 mm | Top part F/ E-foot rest 250 mm | Overbügel F/ E-Fußstütze 250 | 901350 |
| 40.2 | 1 | Underdel E-fodstøtte 37B Vs | Lower part E-footrest 37B Vs | Unterteil E-Fußstütze 37B Vs | 901339 |
| 41 | 1 | Skilt 3D 93x30 mm oval u/tryk | Sticker 3D 93x30 mm oval | Aufkleber 3D 93x30 mm oval | 924780 |
| 42 | 2 | Skruer med indvendig 6-kt CH | Screw M8x12 | Zylinderschrauben mit Innen 6-kt | 8001208012 |
| 43 | 2 | Skive M8 | Washer M8 | Scheibe M8 | 8802208 |
| 44 | 2 | Afstandskive plast 25X8,2X15 | Distance washer plastic 25X8,2X15 | Scheibe aus Kunststoff 25X8,2X15 | 926551 |
| 45 | 2 | Skruer med indvendig 6-kt RH | Hexagon Socket Button Head Screw | Innensechskant Rundkopfschraube | 800320501 6 |
| 46 | 1 | Styreboks PG VR2 | Control unit PG VR2 | Elektronik-einheit PG VR2 | 38661 |
| 47 | 2 | Rørben 15x35 mm flad-oval | Plug 15x35 mm flat-oval | Stöpsel 15x35 mm flach-oval | 922129 |
| 48 | 1 | Beslag f. Ergon armlæn Hs | Bracket f. Ergon armrest Rs. | Klammer f. Ergon Armlæne Rs. | 926441 |
| 49 | 4 | Skive | Washer | Scheibe | 880220 8 |
| 50 | 3 | Skruer m/indv 6-kt CH M8x12 | Cylinder Head Cap Screw | Zylinderschrauben m/Innensechskant | 800120801 2 |
| 51 | 1 | Skruer m/indv. 6-kt CH M8x16 | Cylinder Head Cap Screw M8x16 | Zylinderschrauben m/Innen 6-kt M8x16 | 8001208016 |
| 52 | 2 | Skiftegreb ERX.78 p-M10x25 | Tightening handle M10 x 25 | Spanngriff M10 x 25 | 925967 |
| 53 | 1 | Knopfeder for 10 mm rør | Pop-out pin for 10 mm tube | Druck-stifte Ø10 mm Rohr | 923362 |
| 54 | 1 | Sidestykke Ergon armlæn Hs kpl | Sidepart for Ergon armrest Rs cpl | Seitenstück für Ergon armlæne Rs kpl | 927960 |



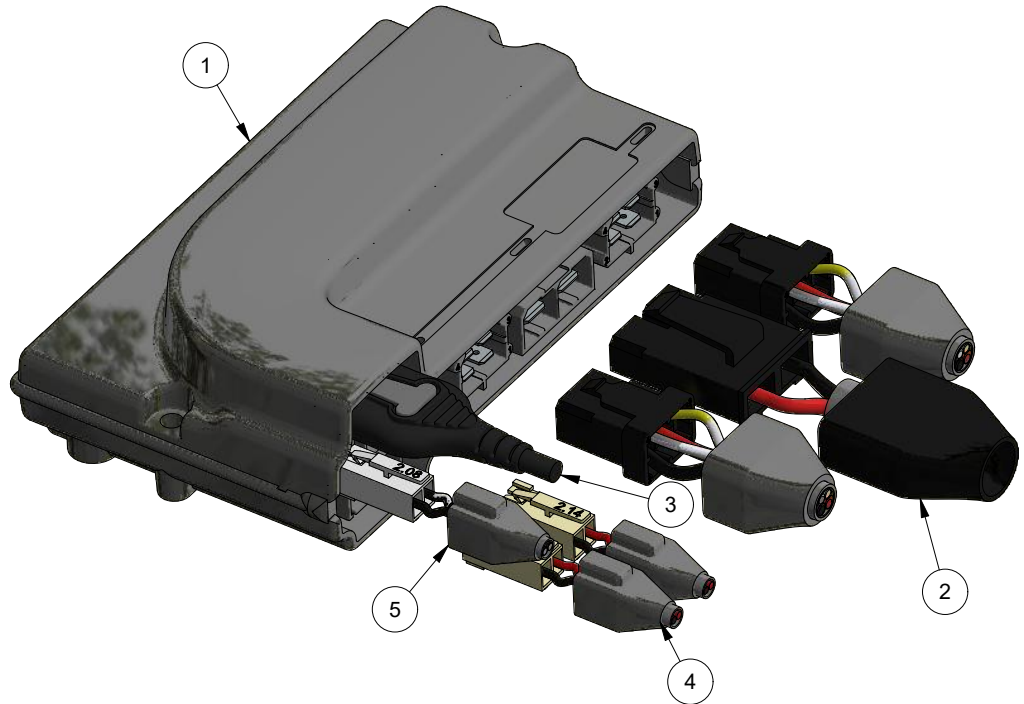
| Parts List | | | | | |
|------------|------|------------------------------------|-----------------------------------|------------------------------------|------------|
| Pos. | Pcs. | Emne | Item | Beschreibung | Item no. |
| 1 | 2 | Batteri 12V 24 Ah | Battery 12V 24 Ah | Batterie 12V 24 Ah | 900995 |
| 2 | 1 | Sikringsfatning for sikring 40A | Fuse holder f/fuse 40A | Sicherungshalter f/Sicherung 40A | 922102 |
| 3 | 2 | Skive | Washer | Scheibe | 8802206 |
| 4 | 1 | Sikring 40A | Fuse 40A | Sicherung 40A | 922028 |
| 5 | 2 | Stor skive | Washer | Scheibe | 880620 6 |
| 6 | 8 | Låsemøtrik M6 | Hex Lock Nut M6 | Sechskantsicherungsmuttern M6 | 8902206 |
| 7 | 2 | Hjul 175 mm med gaffel | Wheel 175 mm w/fork | Rad 175 mm m/Gabel | 017033 |
| 7.1 | 1 | Hjul komplet Ø175 grå | Wheel 175 mm gray | Rad 175 mm grau | 018247 |
| 7.2 | 1 | Gaffel 175 komplet | Fork 175 complete | Gabel 175 komplett | 921885 |
| 8 | 3 | Skrue med krydskærv UH M4x10 | Screw w/type Z recess M4x10 | Schrauben m/Nische M4x10 | ----- |
| 9 | 1 | Effektboks PG VR2 60A-2Akt | Power box PG VR2 60A-2Akt | Power box PG VR2 60A-2Akt | 38651 |
| 10 | 2 | Skrue m/indv. 6-kant CH M5x35 | Cylinder Cap Head Screw M5x35 | Zylinderschrauben m/Innene 6-kant | 8001205035 |
| 11 | 2 | Skive | Washer | Scheibe | 880220 5 |
| 12 | 6 | Afstandsstykke Ø15/Ø6,5 x 6,2 sort | Distance piece Ø15/Ø6,5x6,2 black | Distanzstück Ø15/Ø6,5x6,2 Schwarz | ----- |
| 13 | 2 | Feder 6x6x35 | Tongue 6x6x35 | Feder 6x6x35 | ----- |
| 14 | 2 | Massiv drivhjul m/alufælg 200 mm | Massive wheel w/alu rim | Massive Rad m/alu Felge | 018738 |
| 15 | 2 | Låsemøtrik M10 | Lock Nut M10 | Gegenmutter M10 | 8902210 |
| 16 | 8 | Skive DIN 125-1 A 6,4 | Washer 6,4 | Scheibe 6,4 | 880220 6 |
| 17 | 4 | Skrue m/indv. 6-kant CH M6x75 | Cylinder Head Cap Screw M6x75 | Zylinderschrauben m/Innene 6-kant | 8001206075 |
| 18 | 6 | Møtrikbeskytter M6 | Cover for Nut M6, Black | Schütze für Mutter M6 Schwarz | 921984 |
| 19 | 2 | Skrue m/indv. 6-kant CH M6x20 | Cylinder Head Cap Screw M6x20 | Zylinderschrauben mit/Innen 6-kant | 8001206020 |
| 20 | 1 | Hmc motor 24V 130W Hs | Hmc motor 24V 130W Rs | Hmc motor 24V 130W Rs | 926116 |
| 21 | 1 | Hmc motor 24V 130W Vs | Hmc motor 24V 130W Ls | Hmc motor 24V 130W Ls | 926115 |
| 22 | 2 | Drejehåndtag til frikobling B100 | Swivel handle B100 | Dreharm B100 | 900793 |
| 23 | 1 | Skjold Blues 100 | Shroud Blues 100 | Schild Blues 100 | 926460 |
| 24 | 2 | Velcro for skjold 30x90 loop B100 | Velcro f/Shroud loop 30x90 | Velcro f/Schild loop 30x90 | 925054 |
| 25 | 2 | Velcro for skjold 30x90 hook B100 | Velcro f/Shroud hook 30x90 | Velcro f/Schild hook 30x90 | 925053 |
| 26 | 2 | Velcro for skjold 50x90 loop B100 | Velcro f/Shroud loop 50x90 | Velcro f/Schild loop 50x90 | 925056 |
| 27 | 2 | Velcro for skjold 50x90 hook B100 | Velcro f/Shroud hook 50x90 | Velcro f/Schild hook 50x90 | 925055 |
| 28 | 2 | Label frikobling Blues 100 | Label for disconnection Blues 100 | Etikett für Entkopplung | 104135 |
| 29 | 3 | Lydfolie 200x120x3 | Acoustic foil 200x120x3 mm | Schallfolie 200x120x3 mm | 921710 |
| 30 | 1 | Lap f/motorstyring Hook 50x120 mm | Velcro Hook 50x120 mm black | Velcro Hook 50x120 mm Schwarz | 925055 |
| 31 | 1 | Lap f/motorstyring Loop 50x120 mm | Velcro Loop 50x120 mm black | Velcro Loop 50x120 mm Schwarz | 925056 |
| 32 | 1 | Motorstyring ET3.2 24V 3 akt | Engine management ET3.2 24V | Motormanagement ET3.2 24V | 924924 |
| 33 | 1 | Kipbøjle Blues 100 | Anti-tilt bar Blues 100 | Kippschutz bar Blues 100 | 926148 |
| 34 | 2 | Skrue m/indv. 6-kant CH M6x65 | Cylinder Head Cap Screw M6x65 | Zylinderschrauben m/Innene 6-kant | 8001206065 |



| Parts List | | | | | |
|------------|-----|----------------------------------|------------------------------|------------------------------|----------|
| Pos | Pcs | Beskrivelse | Description | Beschreibung | Stock no |
| 1 | 2 | Batteri 12V 24 Ah | Battery 12V 24 Ah | Batterie 12V 24 Ah | 900995 |
| 2 | 1 | Ledningsæt for sikringsfatning | Wireset F/ fuse socket | Leitungssatz F/ Sicherung | 925064 |
| 3 | 1 | Sikring 40A | Fuse 40A | Sicherung 40A | 922028 |
| 4 | 1 | Effektboks PG VR2 60A-2Akt | Power box PG VR2 60A-2Akt | Power box PG VR2 60A-2Akt | 38651 |
| 5 | 1 | Ledningsæt for batteri - PM VR2 | Wireset Maxi VR2 | Leitungssatz Maxi VR2 | 925555 |
| 6 | 1 | Styreboks VR2 | Control Unit PG VR2 | Elektronik-Einheit PG VR2 | 38661 |
| 7 | 1 | Bus kabel for styreboks VR2 0,5m | BUS cable VR2 0,5 m | BUS Kabel VR2 0,5 m | 925153 |
| 8 | 1 | MBL aktuator 200 mm 94H11BB1 | MBL actuator 200 mm 94H11BB1 | MBL Actuator 200 mm 94H11BB1 | 924261 |
| 9 | 1 | Hmc motor 24V 130W Vs | Hmc motor 24V 130W Ls | Hmc motor 24V 130W Ls | 926115 |
| 10 | 1 | Hmc motor 24V 130W Hs | Hmc motor 24V 130W Rs | Hmc motor 24V 130W Rs | 926116 |
| 11 | 1 | Ledningsæt Maxi VR2 | Wireset Maxi VR2 | Leitungssatz Maxi VR2 | 925556 |
| 12 | 1 | Ledningsæt Blues 100 VR2 | Wireset Blues 100 VR2 | Leitungssatz Blues 100 VR2 | 925665 |
| 13 | 1 | Lader PC Classic 24V 8A | Charger PC Classic 24V 8A | Ladegerät PC Classic 24V 8A | 925562 |



| Power module VR 2 | | |
|----------------------------|----------|---------------------|
| Output | Pin | Wire color |
| 1 Controlbox | 1 | - |
| | 2 | - |
| | 3 | - |
| | 4 | - |
| INH-2 Inhibit 2 | 1 | black |
| | 2 | black |
| OBC Inhibit 3 | 1 | - |
| | 2 | - |
| | 3 | - |
| OBC Charger | 1 | - |
| | 2 | - |
| | 3 | - |
| A1 Actuator | 1 | red |
| | 2 | black |
| A2 Aktuator | 1 | brown |
| | 2 | blue |
| M1 Motor Ls | 1 | brown |
| | 2 | black |
| | 3 | yellow/green |
| | 4 | grey |
| + - Power | - | black |
| | + | red |
| M2 Motor Rs | 1 | brown |
| | 2 | black |
| | 3 | yellow/green |
| | 4 | grey |



| Parts List | | | | | |
|------------|-----|----------------------------------|--------------------------------|--------------------------------|----------|
| Pos | Pcs | Beskrivelse | Description | Beschreibung | Stock no |
| 1 | 1 | Effektboks PG VR2 60A-2Akt | Power box PG VR2 60A-2Akt | Power box PG VR2 60A-2Akt | 38651 |
| 2 | 1 | Ledningsæt for batteri - PM VR2 | Wireset Maxi VR2 | Leitungssatz Maxi VR2 | 925555 |
| 3 | 1 | Bus kabel for styreboks VR2 0,5m | BUS cable VR2 0,5 m | BUS Kabel VR2 0,5 m | 925153 |
| 4 | 2 | Kabel for lift aktuator Maxi VR2 | Cable f/lift aktuator Maxi VR2 | Kabel f/lift aktuator Maxi VR2 | 925556 |
| 5 | 1 | Ledningssæt Maxi VR2 PM | Cable set Maxi VR2 PM | Kabel set Maxi VR2 PM | 925665 |

Dato: