

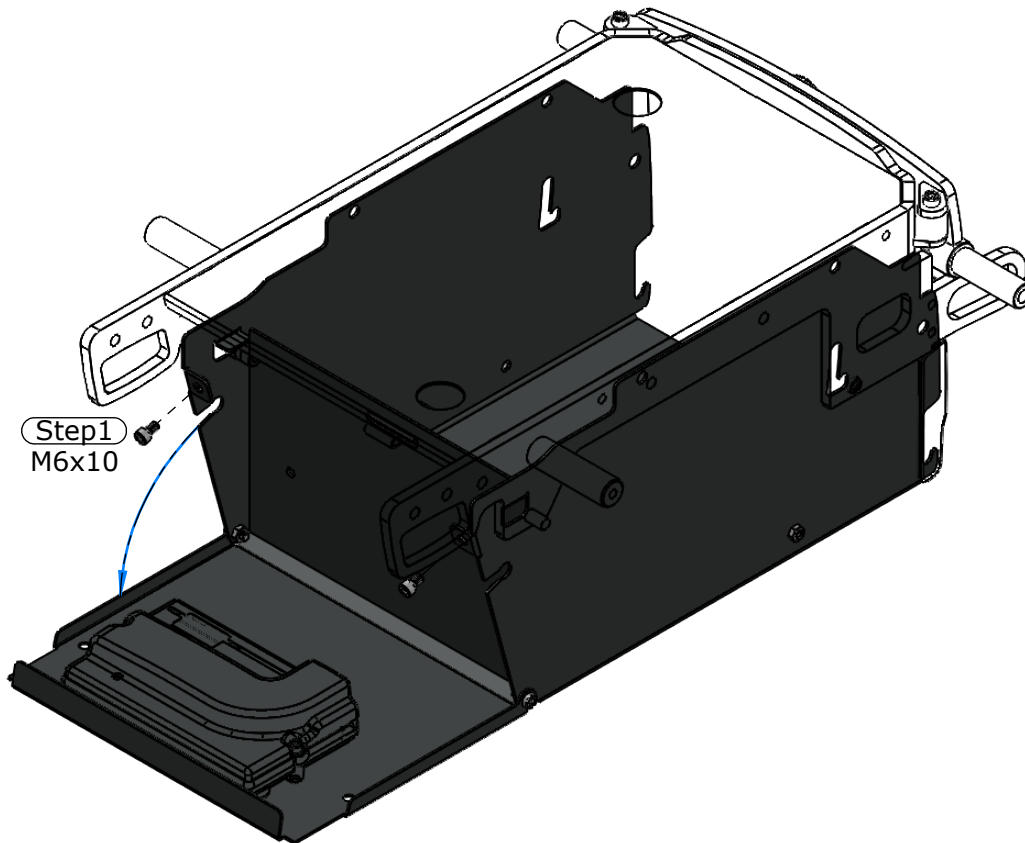
SPARE PART INSTRUCTION

NR. **5.1.1** NAME **Power supply - Battery**

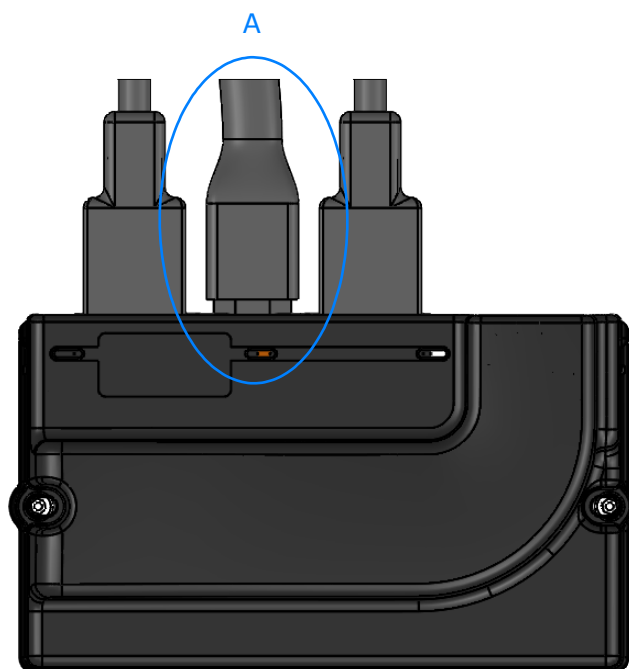
VERSION 1.0 DATE 22-04-2020 BY SH

PAGE **1 of 4**

M8 = 18Nm
M6 = 10Nm
M5 = 6Nm
M4 = 4Nm



Step 2
Disconnect A:



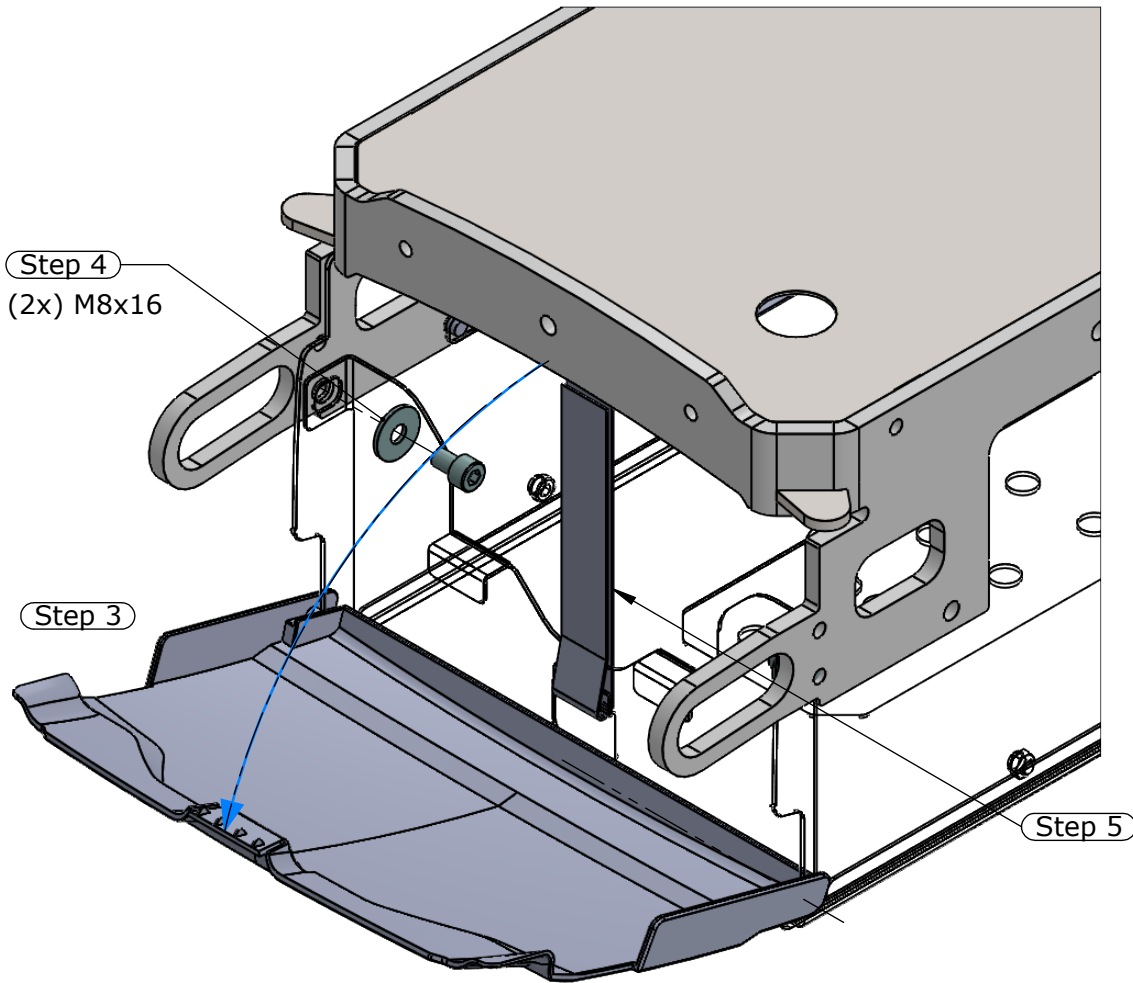
SPARE PART INSTRUCTION

NR. **5.1.1** NAME **Power supply - Battery**

VERSION 1.0 DATE 22-04-2020 BY SH

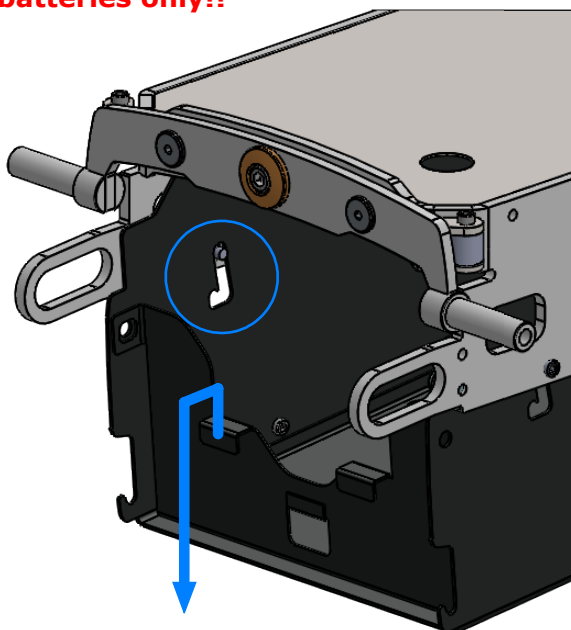
PAGE **2 of 4**

M8 = 18Nm
M6 = 10Nm
M5 = 6Nm
M4 = 4Nm



Step 6

For 78Ah batteries only!!



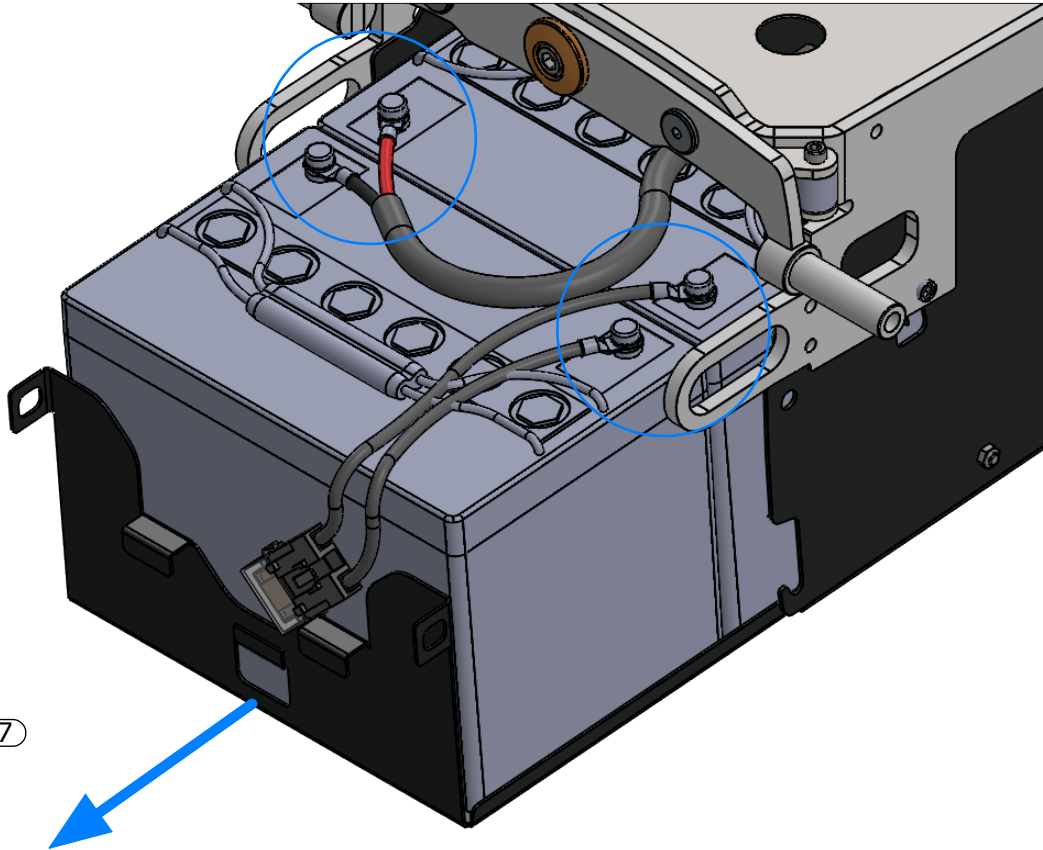
SPARE PART INSTRUCTION

NR. **5.1.1** NAME **Power supply - Battery**

VERSION 1.0 DATE 22-04-2020 BY SH

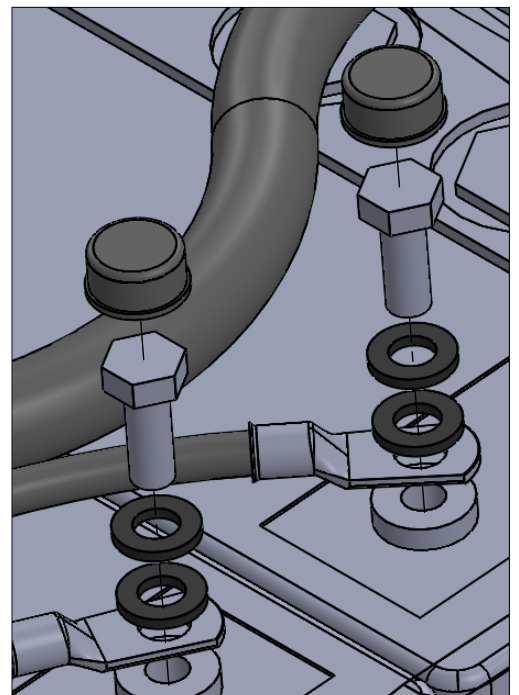
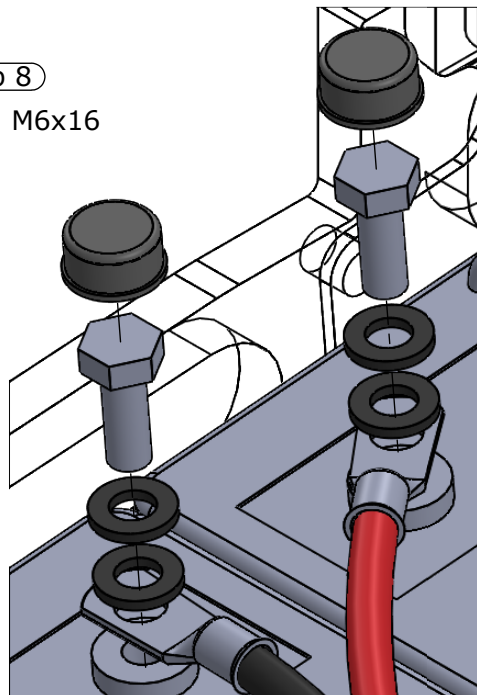
PAGE **3 of 4**

M8 = 18Nm
M6 = 10Nm
M5 = 6Nm
M4 = 4Nm



Step 7

Step 8
(4x) M6x16



SPARE PART INSTRUCTION

NR. **5.1.1** NAME **Power supply - Battery**

VERSION 1.0 DATE 22-04-2020 BY SH

PAGE **4 of 4**

M8 = 18Nm
M6 = 10Nm
M5 = 6Nm
M4 = 4Nm

Step 9

