

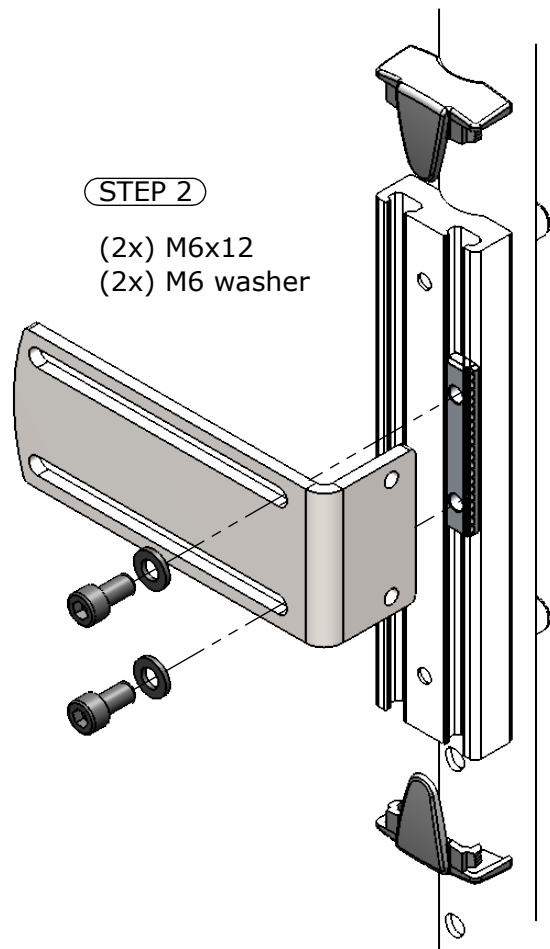
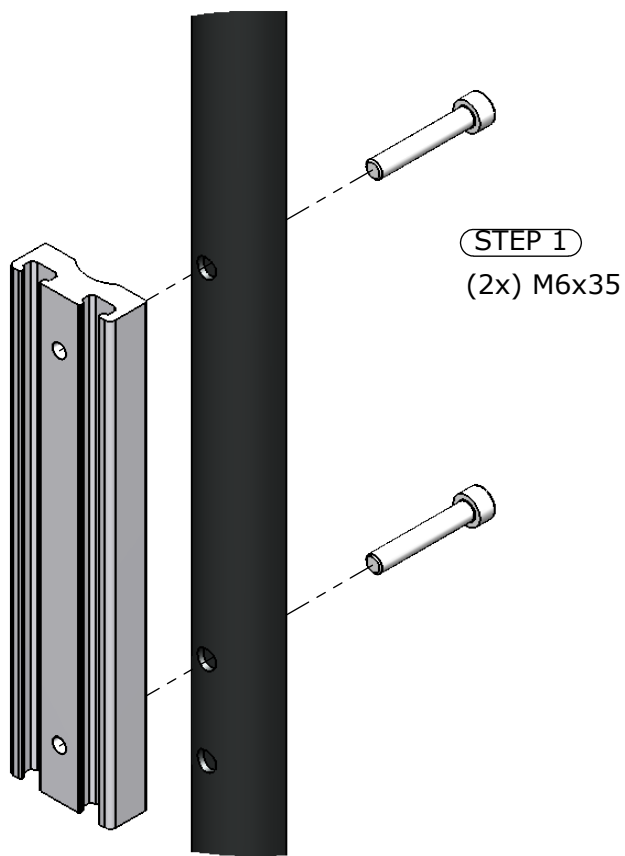
SPARE PART INSTRUCTION

NR. **4.3.1** NAME **Mount Thoracic support**

VERSION 1.0 DATE 15-04-2020 BY Ruben Roumans

PAGE **1 of 2**

M8 = 18Nm
M6 = 10Nm
M5 = 6Nm
M4 = 4Nm



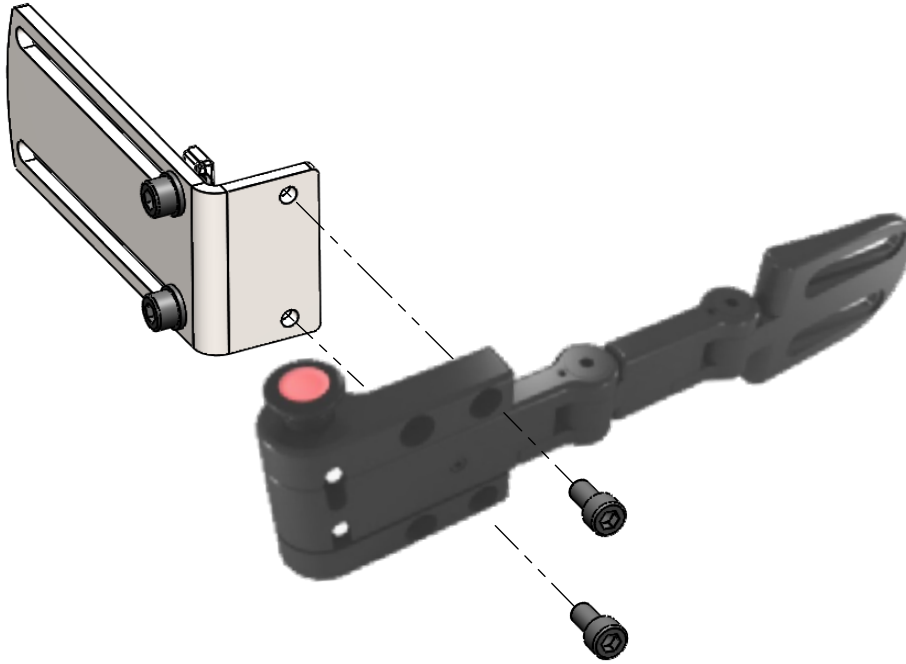
SPARE PART INSTRUCTION

NR. **4.3.1** NAME **Mount Thoracic support**

VERSION 1.0 DATE 15-04-2020 BY Ruben Roumans

PAGE
2 of 2

M8 = 18Nm
M6 = 10Nm
M5 = 6Nm
M4 = 4Nm



STEP 3

(2x) M6x12