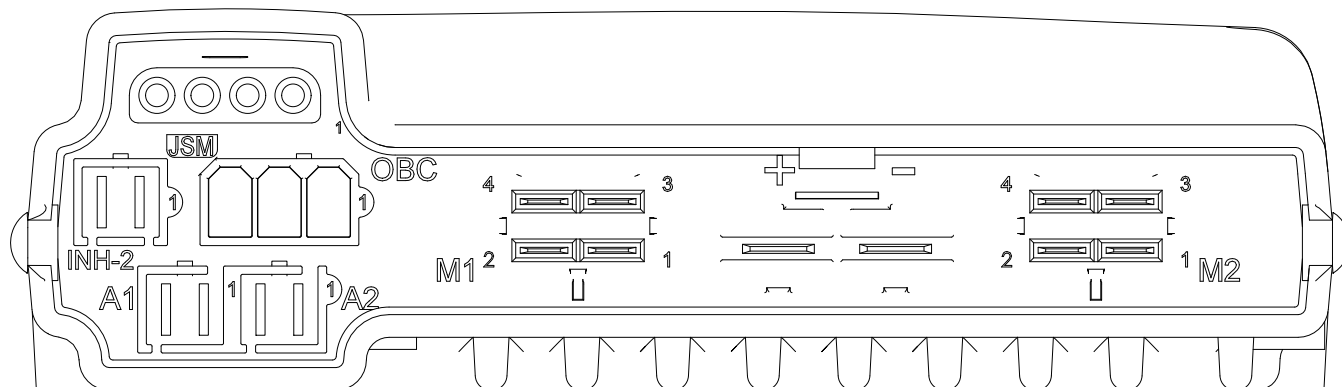
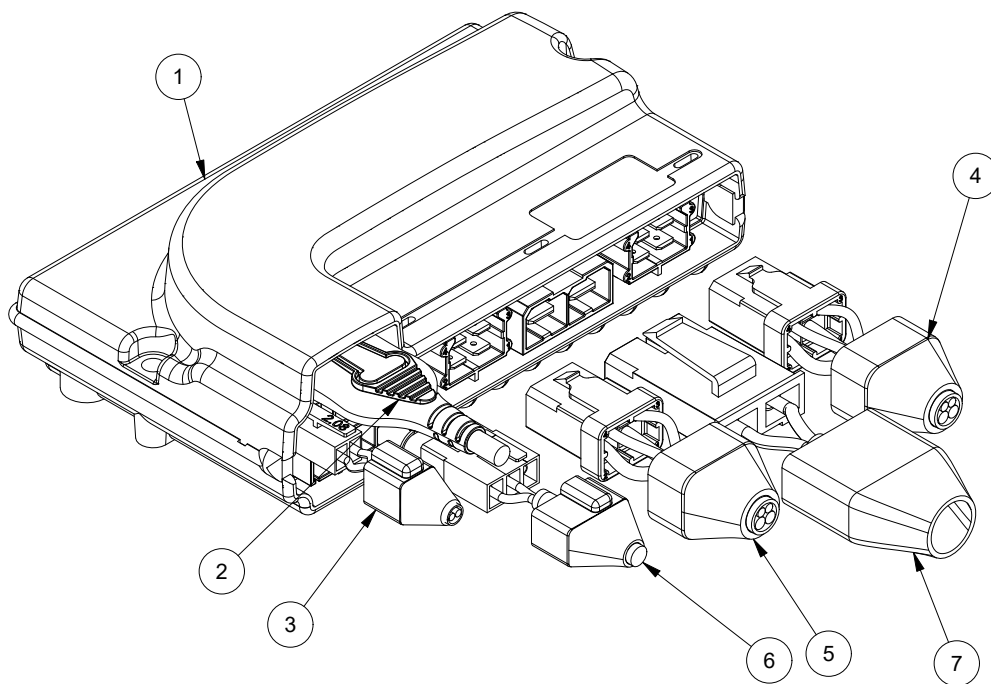


Pos	Pcs	Beskrivelse	Description	Beschreibung	Stock no
1	1	Effektboks PG VR2 60A-2Akt	Power box PG VR2 60A-2Akt	Power box PG VR2 60A-2Akt	38651
2	1	Bus kabel for styreboks VR2 0,5m	BUS cable for Control Unit VR2	BUS kabel für Elektronik-Einheit VR2	925153
3	1	Styreboks VR2	Control Unit PG VR2	Elektronik-Einheit PG VR2	38661
4	1	Skærmkabel polyester Ø 20 mm	Monitor Cable polyester Ø 20 mm	Monitorkabel Polyester Ø 20 mm	924558
5	2	Motorstyring ET3.2 24V 3 akt 7A	Motor control ET3.2 24V 7A	Motormanagement ET3.2 24V 7A	924924
6	1	Kontaktboks 5-funktioner	Five functions switchbox	Fünf Funktionen Schaltkasten	926400
7	1	Motor 160W DC 24V Vs	Motor 160W DC 24V Ls	Motor 160W DC 24V Ls	926603
8	2	Sikringsholder for 40A	Fuse holder for 40A	Sicherungshalter für 40A	922102
9	1	Sikring 8A porcelæn	Fuse 8A	Sicherung 8A	924789
10	1	Motor 160W DC 24V Hs	Motor 160W DC 24V Rs	Motor 160W DC 24V Rs	926602
11	1	MBL aktuator 150 mm 94H22BB1	MBL actuator 150 mm 94H22BB1	MBL Actuator 150 mm 94H22BB1	926470
12	2	Concens aktuator 50 mm	Concens actuator 50 mm	Concens aktuator 50 mm	926725
13	2	Batteri Blues 210 12V 33Ah	Battery Blues 210 12V 33Ah	Batteri Blues 210 12V 33Ah	926594
14	1	Kipramme SW 45 grader Blues 210 komplet	Tilt frame SW 45 degrees Blues 210 complete	Neigung rahmen SW 45 gradere Blues 210 komplett	926666
15	1	Lader PC Classic 24V 8A	Charger PC Classic 24V 8A	Ladegerät PC Classic 24V 8A	925562
16	1	Kabel VR2 switch halv hast. Sw	Cable VR2 switch half speed Sw	Kabel VR2 Schalter halber Geschwindigkeit Sw	925577
17	1	Yderrør 15 cm kpl	External tube F/ 15 cm lift	Außenrohr F/ 15 cm Lift	926471
18	1	Aktuator til centerfodstøtte	Actuator for center footrest	Aktuator für Centerfussstütze	926716
19	1	Motorstyring ET3.2 24V 3 akt 1,4 A	Motor control ET3.2 24V 1.4 A	Motormanagement ET3.2 24V 1.4 A	926985

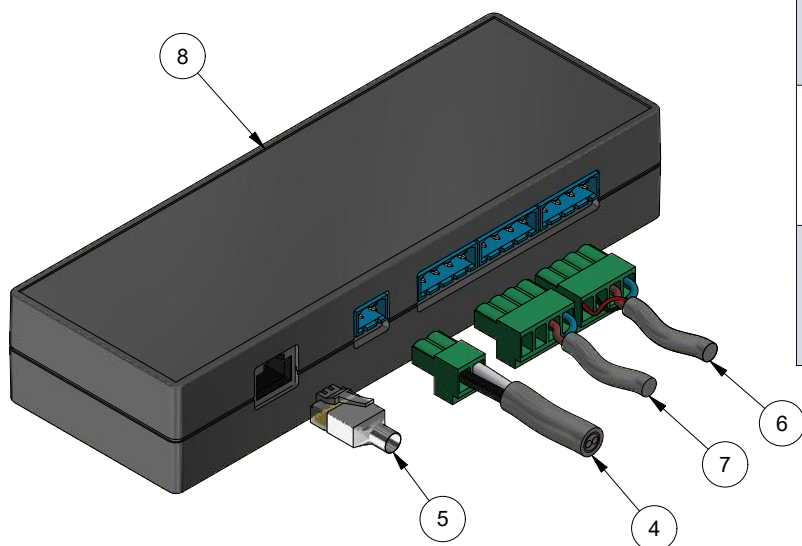
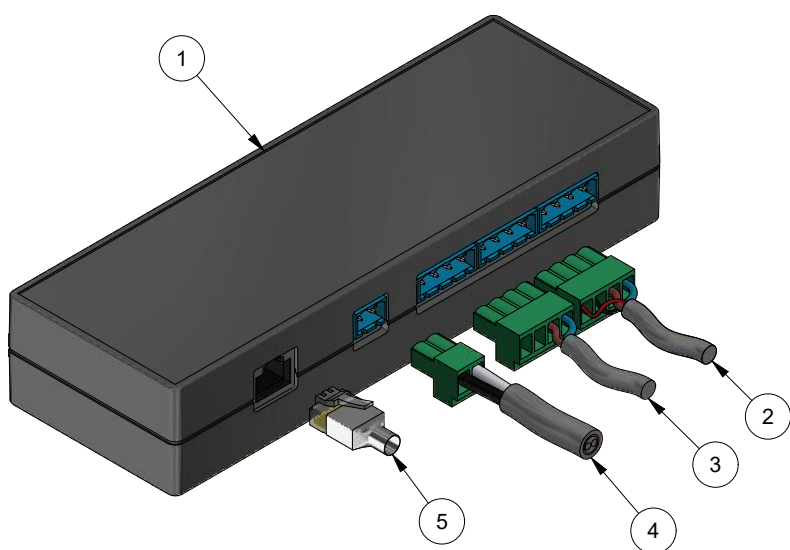
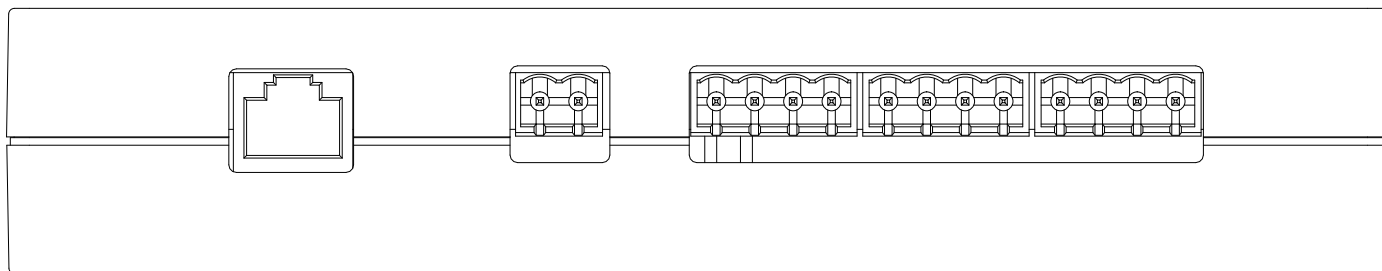


Power module VR2

Output	Pin	Wire
1 Control box	1	-
	2	-
	3	-
	4	-
INH-2 Inhibit 2	1	White
	2	Black
OBC Inhibit 3	1	-
	2	White
A1 Actuator	1	-
	2	-
A2 Actuator	1	-
	2	-
M1 Motor Ls	1	Red
	2	Black
	3	White
	4	White
+- Power	1	Black
	2	Red
M2 Motor Rs	1	Red
	2	Black
	3	White
	4	White



Pos	Pcs	Beskrivelse	Description	Beschreibung	Stock no
1	1	Effektboks PG VR2 60A-2Akt	Control Unit, PG VR2 60A	Elektronik-Einheit, PG VR2 60A	38651
2	1	Bus kabel for styreboks VR2 0,5m	BUS cable for Control Unit VR2	BUS kabel für Elektronik-Einheit VR2	925223
3	1	Kabel for lift og kip og ½ hastighed på kip	Cable for lift and tilt half speed	Kabel Schalter halber Geschwindigkeit	926766
4	1	Motor 160W DC 24V Vs	Motor 160W DC 24V Vs	Motor 160W DC 24V Vs	926602
5	1	Motor 160W DC 24V Hs	Motor 160W DC 24V Hs	Motor 160W DC 24V Hs	926603
6	1	Kabel VR2 switch ½ hastighed lift	Cable VR2 switch half speed lift	Kabel VR2 Switch halber Geschwindigkeit	925577
7	1	Kabel VR2 effektboks - batterier	Cable VR2 power box - batteries	Kabel VR2 Power box - Batterien	926697



Motor control 7A			Motor control 1.4A		
Output	Pin	Wire	Output	Pin	Wire
1 Five function switch- box	1	Blue	1 Five function switch- box	1	Blue
	2	Red		2	Red
	3	Pink		3	Pink
	4	Grey		4	Grey
	5	Yellow		5	Yellow
	6	Green		6	Green
	7	Brown		7	Brown
	8	White		8	White
2 Power	1	Blue -	2 Power	1	Blue -
	2	Red +		2	Red +
3 Actuator Lift	1	-	3 Actuator Legrest	1	-
	2	-		2	-
	3	Brown		3	Brown
	4	Blue		4	Blue -
4 Actuator Tilt	1	-	4 Actuator Backrest	1	-
	2	-		2	-
	3	Brown		3	Brown
	4	Blue		4	Blue -
5 Actuator	1	-	5 Actuator	1	-
	2	-		2	-
	3	-		3	-
	4	-		4	-

Pos	Pcs	Beskrivelse	Description	Beschreibung	Stock no
1	1	Motorstyring ET3.2 24V 3 akt 7A	Motor control ET3.2 24V 7A	Motormanagement ET3.2 24V 7A	924924
2	1	MBL aktuator 200 mm 94H11BB1	MBL actuator 200 mm 94H11BB1	MBL Aktuator 200 mm 94H11BB1	924261
3	1	Kip aktuator SW 45	Kip actuator SW 45	Kip Aktuator SW 45	926955
4	1	Kabel for motorstyring ET3.2 - batterier	Cable for motor management ET3.2 - batteries	Cable for motor management ET3.2 - batteries	925316
5	1	Kontaktboks 5-funktioner	Five functions switchbox	Fünf Funktionen Schaltkasten	926399
6	1	Aktuator CON 35 - 50 mm 24V	Actuator CON 35 - 50 mm 24V	Aktuator CON 35 - 50 mm 24V	925362
7	1	Aktuator for centerfodstøtte	Actuator for center footrest	Aktuator für Centerfussstütze	926716
8	1	Motorstyring ET3.2 24V 3 akt 1,4A	Motor control ET3.2 24V 1.4A	Motormanagement ET3.2 24V 1,4A	926985